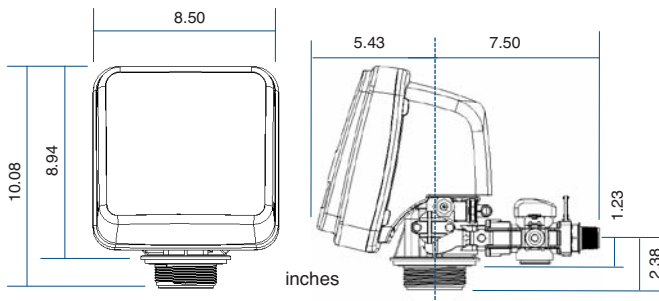


365 Series Control Valve



Features:

- ✓ Exclusive NSF Certified mechanical control valve with reliable piston, seal and spacer design
- ✓ Automatic cycles
- ✓ Easy to set time of day
- ✓ Simple skipper wheel regeneration settings
- ✓ Time saving quick connections for easy installation and maintenance
- ✓ Bypass valve included
- ✓ Five Year Guarantee



QC Power Cable



QC Brine Line



QC Drain Line

Item #	Description
10070001	365 MECHANICAL CALENDAR CLOCK - CLEAR COVER
10080001	365 MECHANICAL FILTER CALENDAR CLOCK - CLEAR COVER
10090001	365 MECHANICAL IRON FILTER CALENDAR CLOCK - CLEAR COVER

Specifications	
Valve Body Material	Noryl (PPO)
Plumbing Connections (NPT)	Straight – ½", ¾", 1" 90 Deg – ¾"
Tank Thread	2-1/2" NPSM
Regeneration	Down Flow
Regeneration Mode	Timer
Regeneration Time	2:00 AM
Distributor Pilot	1.05"
Drain Line	1/2" Quick Connect
Brine Line	3/8" Quick Connect
Flow Rates (Valve Only 50 psi inlet)	
Continuous (15 psi drop)	20 GPM
Peak (25 psi drop)	26 GPM
Max. Backwash (25 psi drop)	7 GPM
Cv	5.2
Typical Applications	
Softeners	up to 16" Diameter
Filters	up to 10" Diameter
Electrical	
Input	110V AC 50/60Hz
Output	12V AC 50/60Hz 410mA
Certification	cUL
Operation Ratings	
Max. Working Pressure	20 - 125 psi
Max. Temperature	34F - 110F
Approvals	
NSF	Certified
Additional Information	
Shipping Weight	7 pounds

AQUATECH

"The Water Specialists"



Healthy Living Begins With Clean Water

1-800-265-0294

www.aquatech-canada.ca